

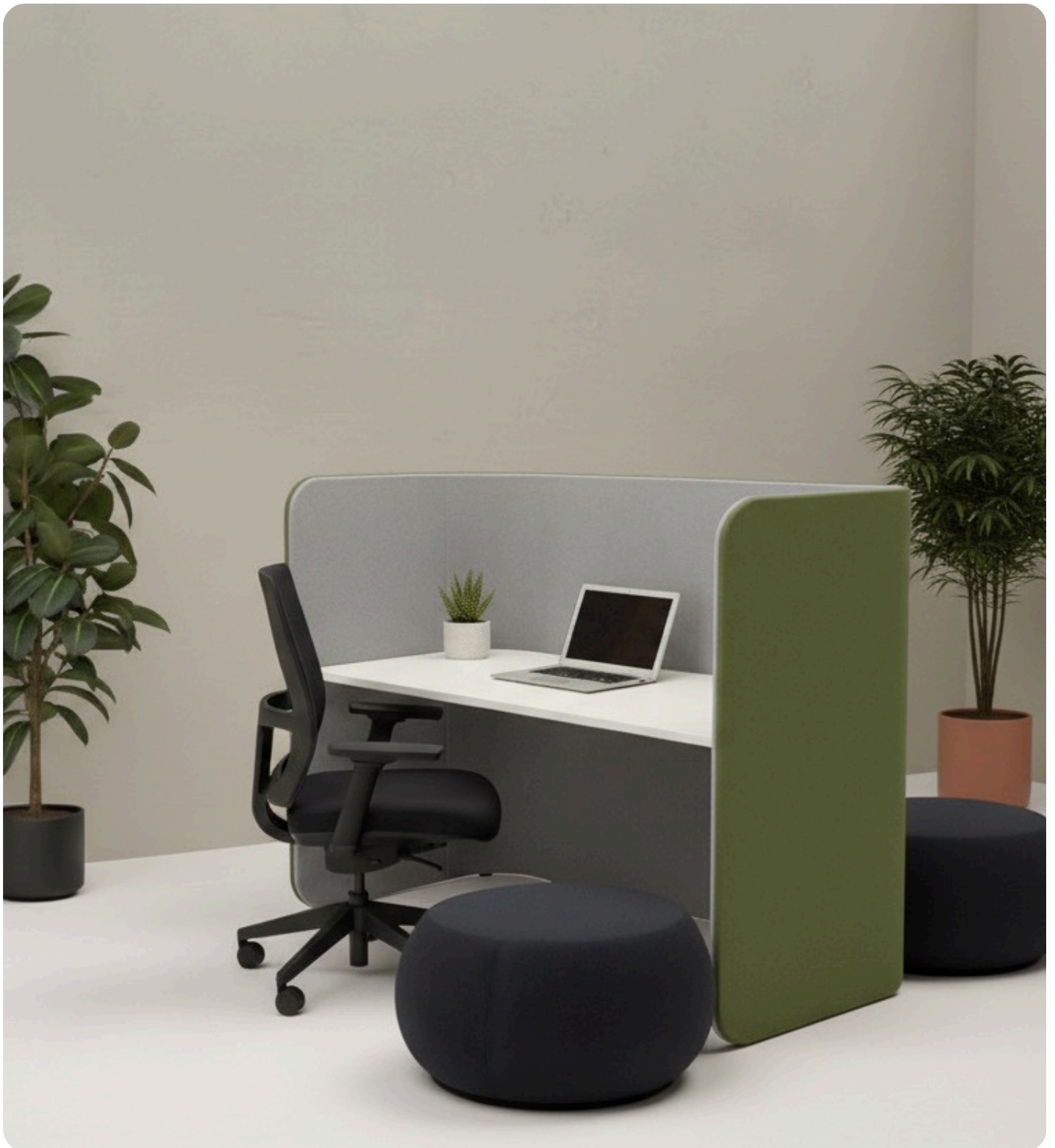
Technical Data Sheet

In - Zone Focus Pods

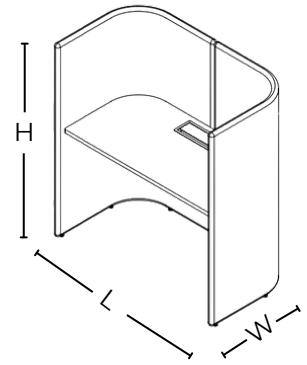
A Focused space for U

U.noia's focus pods create private, quiet spaces that boost concentration while keeping the office stylish and modern.

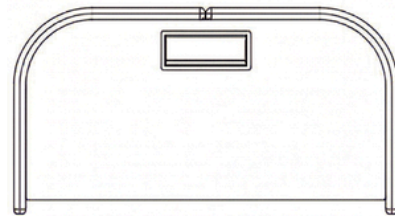
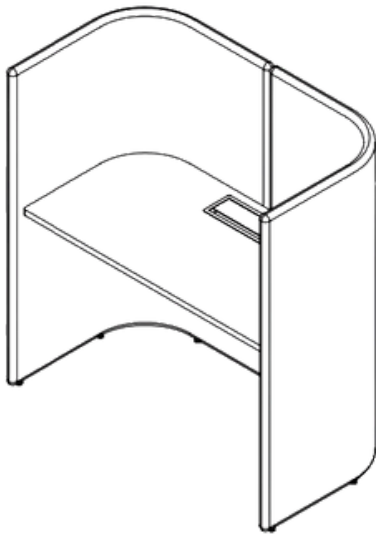
Single Focus Pod



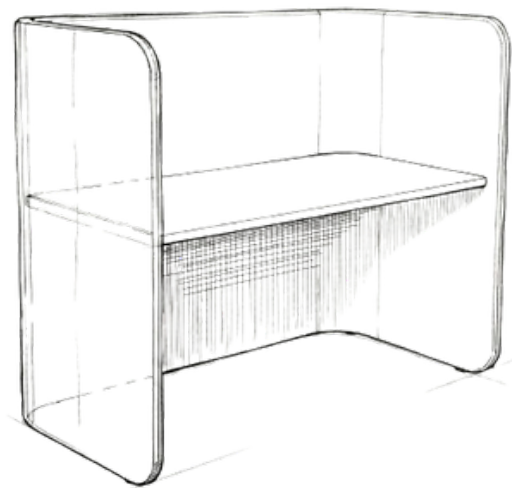
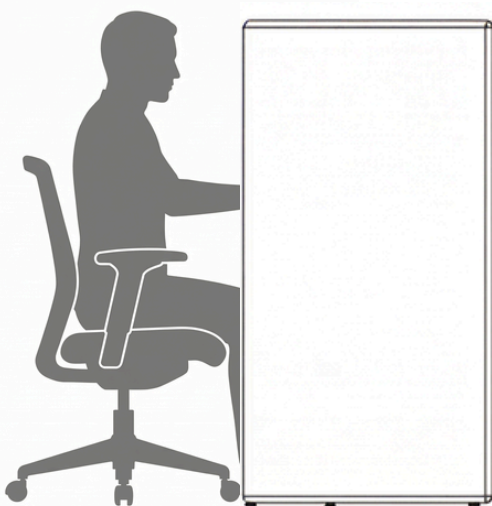
In-Zone Single Focus Pod



H 1300



Desk Dimensions: 1200x600, 1400x700, 1600x800



A Focused space for U

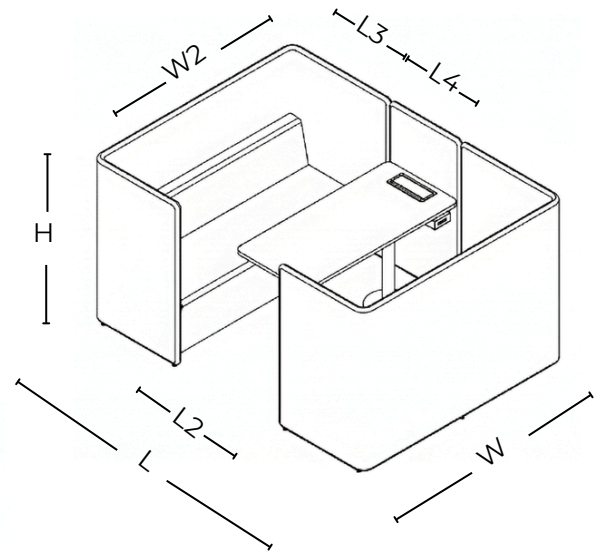
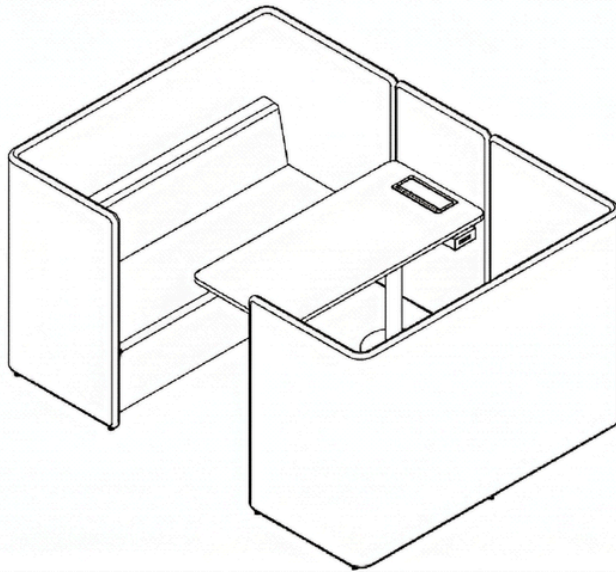
U.noia's Quad Focus Pods offer a dedicated sanctuary for team synergy. Designed for high-impact meetings and creative gatherings, these pods provide a quiet, enclosed environment that keeps your ideas private and your office aesthetic flawlessly modern.

Quad Focus Pod



In-Zone Quad Focus Pod

H 1300



Inner Dimensions :

L2 (Entrance) 850

W2 (Table Length) 1300

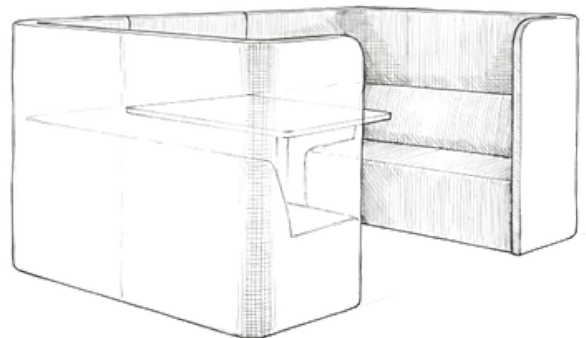
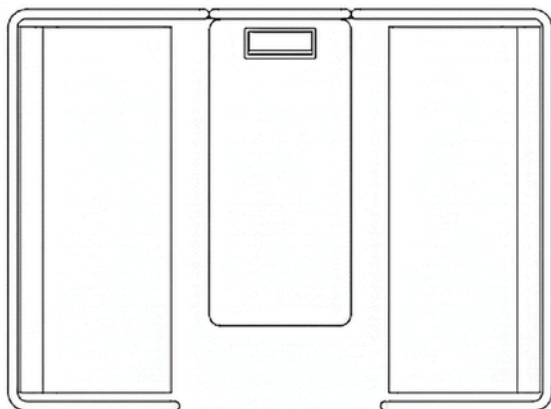
L3 (Outer Seat Depth) 725

L4 (Table Depth) 600

Outer Dimensions :

L 2300

W 1700



A Focused space for U

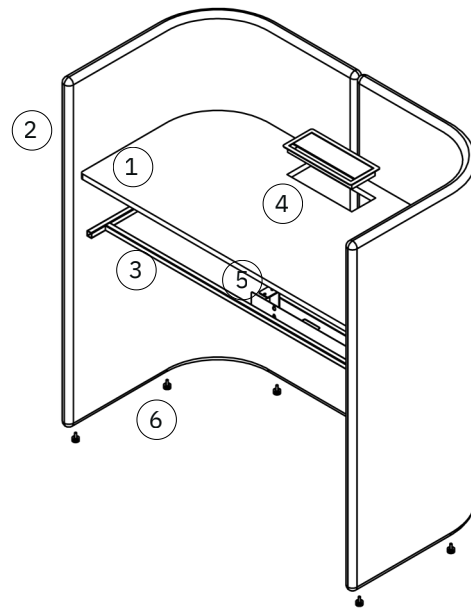
U.noia's focus pods create private, quiet spaces that boost concentration while keeping the office stylish and modern.

8 Focus Pod



DESK COMPONENTS

- ① Finsa Top thickness 25mm.
- ② Upholstered privacy screen
- ③ Powder-coated top support
- ④ Soft close cable grommet
- ⑤ Cable management tray
- ⑥ Plastic levelling adjustable feet



TECHNICAL INFORMATION

Desktop

- 25 mm MFC (melamine) with 2 mm ABS edging.

Structure & Feet

- Metal tube powder coated anti corrosive - 20x20 mm
- Medium Density Foam
- Fabric
- Plastic levelling feet (+10 mm).

Acoustic Insulation:

- Shared partition packed with the series-standard multi-layered sponge stack (10cm, 5cm, 2cm, and 1cm thicknesses).

Exterior Finish:

- Fully upholstered in fabric or Leather to provide quiet comfort and sound absorption. .

FEATURES

- Easy to assemble and disassemble - "metal to metal" construction Just one tool for assembling
- Concealed cable management
- Anti-fingerprint surface and high scratch resistance ($\geq 6\text{NW}$ – EN 438-2 standard)
- Two tone Privacy screen with acoustic benefits.

QUALITY STANDARD

Top surface

ISO 22196 Standard: 2011.
(Certificate of Analysis No. 1023308.1E-1).

ISO 21702 standard: 2019 and the NF EN 14476 standard: 2013 + A2: 2019.

Recommended Fabric & Leather Finishes



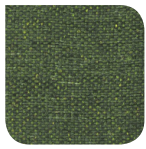
Leather Ink



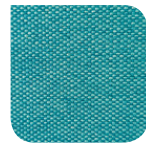
Leather Light Grey



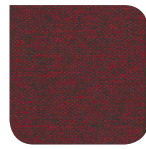
Leather Beige



Grass Green



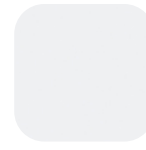
Turquoise



Burgundy

And more than 30+ different fabric or leather colors to choose from

Desktop Finishes



060 Blanco



272B
Roble Poema



20B Cerezo



03C Nogal



20N
Roble Sinatra



Negro*
(available only in 19 mm)

NB: Reference to sample for texture

Cable Grommet



White

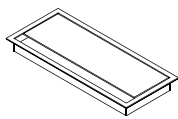


Black

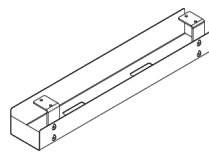


Grey Matte

Desk Includes :

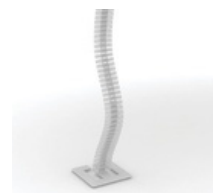


Soft-close cable Grommet:
300 × 110 mm



Cable management tray:
900 × 120 mm

Additional :



Vertebra cable
management

WARRANTY AND SAFETY

- 5-Year Manufacturing Warranty.
- The warranty does not apply to components, external accessories, or materials supplied by the buyer and applied to the products for the purpose of customizing them.
- The company shall not be held liable if the product is used improperly (standing on it or using it as a ladder or swinging it in a way that could compromise its functioning and the user's safety).
- To lift or move the product, grasp it firmly by the supporting structure. The product must not be subjected to off-center loads: it is designed to be used under normal conditions, resting on its four legs or base.