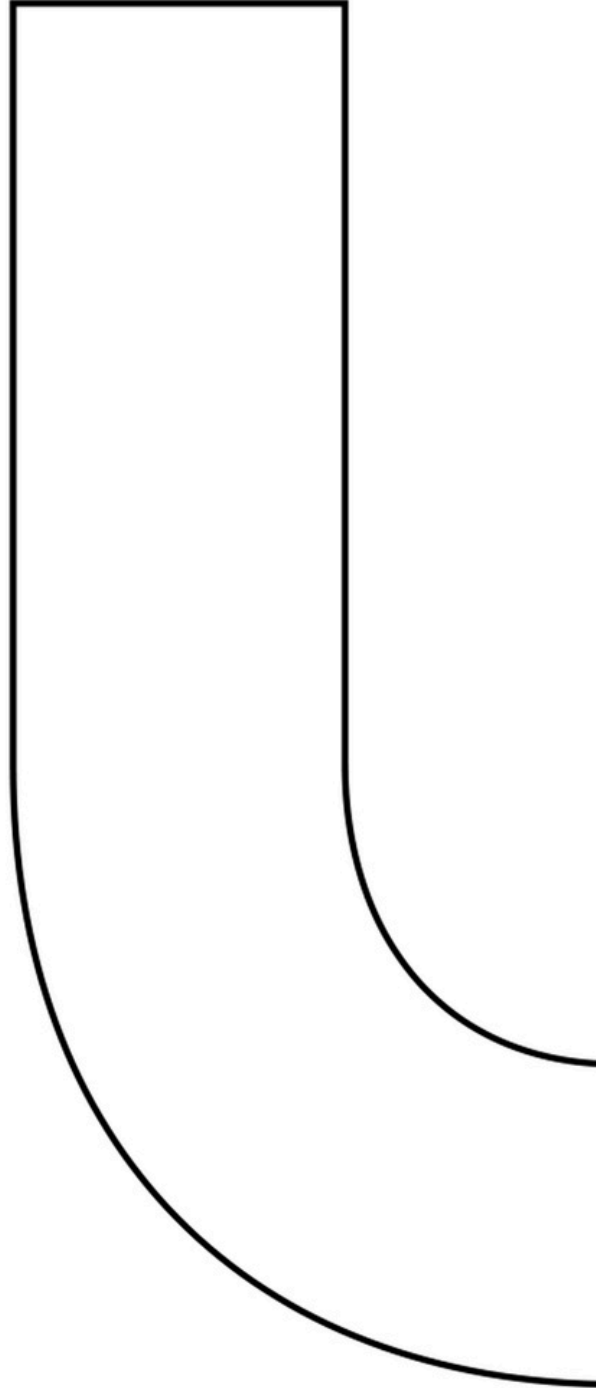


Technical Data Sheet

Flex Chair



Designed for **Productivity**

Sustained productivity requires uncompromised comfort and structural support. The chair features a high-performance, assembled mesh backrest set within a durable plastic frame, designed to promote continuous thermal regulation and airflow during extended periods of focused work.

Flex



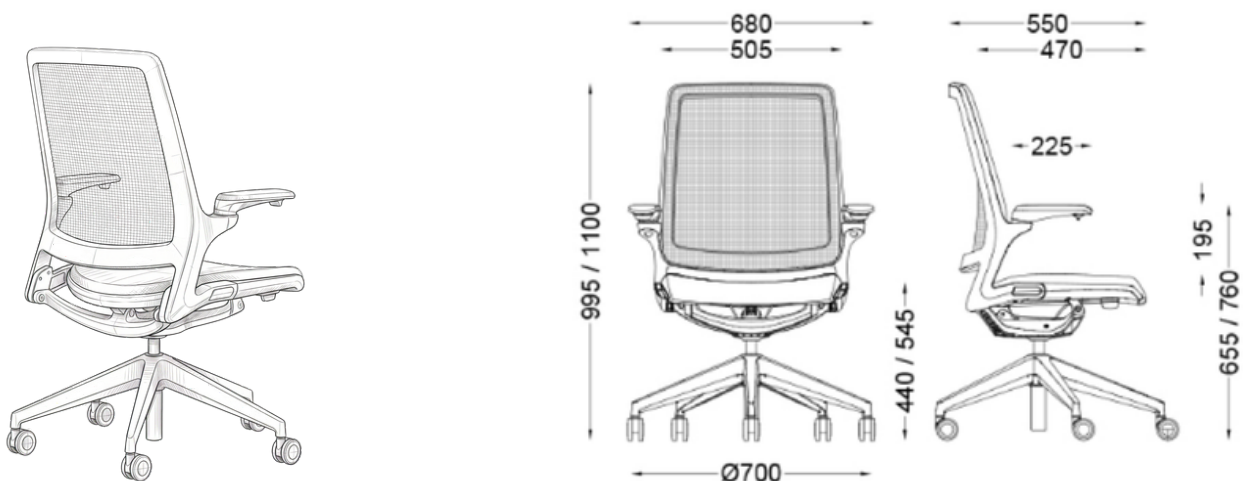
VARIANTS



LEARN MORE ABOUT THE **FLEX** CHAIR

- 1 Sturdy Nylon Base:** Features a stable Klea nylon base, measuring 700mm in diameter and 170mm in height to ensure solid structural support.
- 2 Smart Self-Weighting Mechanism:** Automatically adjusts the chair's tilt resistance based on your body weight, providing customized comfort without the need for manual tweaking.
- 3 Breathable Mesh Backrest:** Designed with a durable plastic frame and assembled mesh to promote airflow and keep you cool throughout the day.
- 4 Ergonomic Soft-Touch Armrests:** Highly adjustable for custom positioning to reduce shoulder strain, complete with soft-touch pads for premium arm support.

DIMENSIONS



MECHANISM FEATURES

Self Weight mechanism

- **Synchronized Seat & Backrest Movement**

The seat and backrest recline together in a controlled ratio, supporting natural body movement and maintaining ergonomic posture.

- **Manual Tension Adjustment**

Allows users to fine-tune the reclining resistance according to their body weight and personal comfort preference.

- **Multi-Position Recline Lock**

Backrest can be locked in multiple positions to support focused task work or relaxed seating.

- **Smooth & Controlled Reclining Motion**

Engineered for controlled, consistent movement, ensuring comfort and safety during recline

- **High Load Capacity & Durability**

Designed for daily office use with a robust structure suitable for workstations and meeting areas.

- **User-Controlled Ergonomics**

Offers flexibility through manual adjustments, making it ideal for users who prefer customized seating control.

- **Compact & Efficient Design**

Slim mechanism profile allows easy integration into a wide range of task and executive chair designs.



RECOMMENDED FABRIC & LEATHER FINISHES



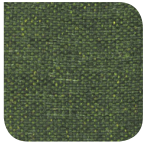
Leather Ink



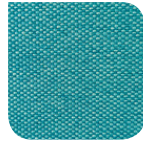
Leather Light Grey



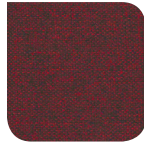
Leather Beige



Grass Green



Turquoise



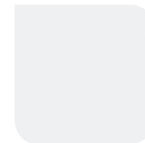
Burgundy

And more than 30+ different fabric or leather colors to choose from

PLASTIC FINISHES



Black



White

MESH FINISHES



Black

QUALITY STANDARDS

- ISO 9001 : 2015
- ISO 14001 : 2015
- ISO 45001 : 2018
- CSI RPP210127
- CSI RPP210128
- CSI RPP210129
- FSC STD-40-004 V3.1

WARRANTY AND SAFETY

- 5-Year Manufacturing Warranty.
- The warranty does not apply to components, external accessories, or materials supplied by the buyer and applied to the products for the purpose of customizing them.
- The company shall not be held liable if the product is used improperly (standing on it or using it as a ladder or swinging it in a way that could compromise its functioning and the user's safety).
- To lift or move the product, grasp it firmly by the supporting structure. The product must not be subjected to off-center loads: it is designed to be used under normal conditions, resting on its four legs or base.