

Technical Data Sheet

Linear & Back to Back Workstations



QUALITY STANDARDS

Finsa top surface.

- ISO 22196 Standard: 2011. (Certificate of Analysis No. 1023308.1E-1).
- ISO 21702 standard: 2019 and the NF EN 14476 standard: 2013 + A2: 2019.

Metal.

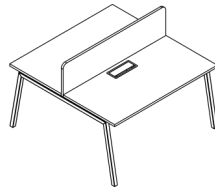
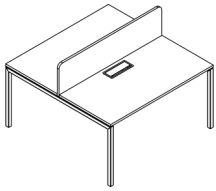
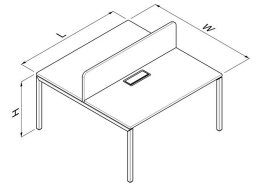
- Material: DD14 (EN 10111)
- ISO 45001:2018 – Occupational Health & Safety System. (Certificate No. 20001230009449).

WARRANTY

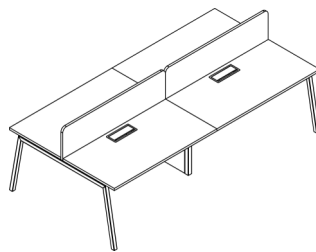
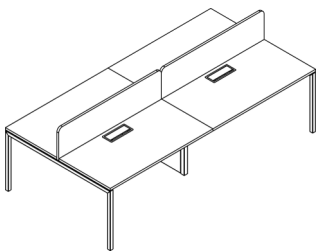
- 5 years

Back to Back Workstations

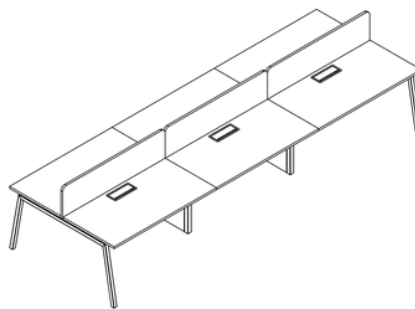
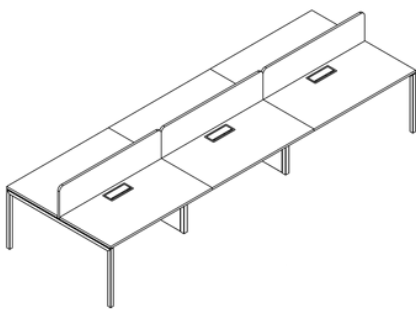
H 740



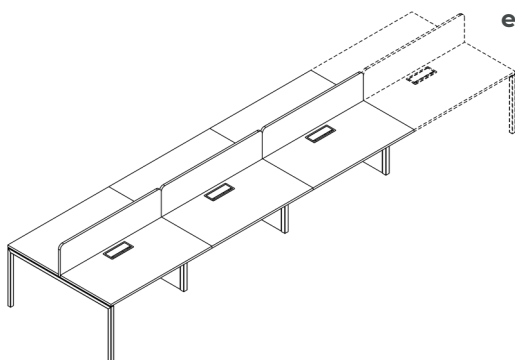
L 1200, 1400, 1600
W 1230, 1430, 1630



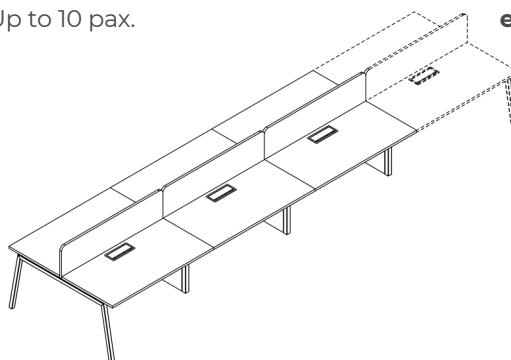
L 2400, 2800, 3200
W 1230, 1430, 1630



L 3600, 4200, 4800
W 1230, 1430, 1630



etc Up to 10 pax.

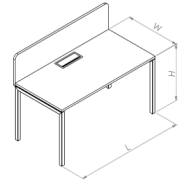
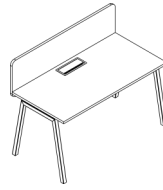
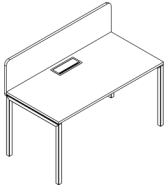


etc Up to 10 pax.

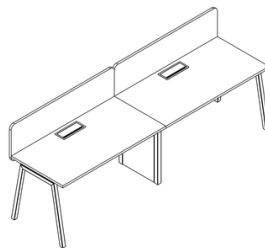
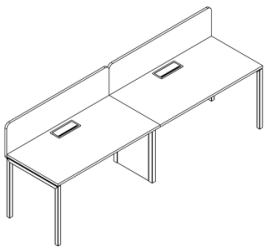
NB: Possibility to extend the length by ordering supplementary units.

Linear Workstations

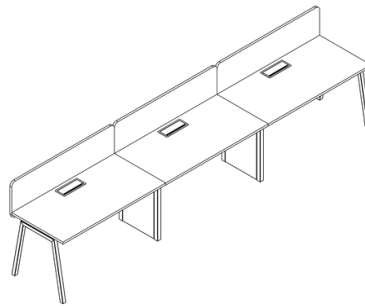
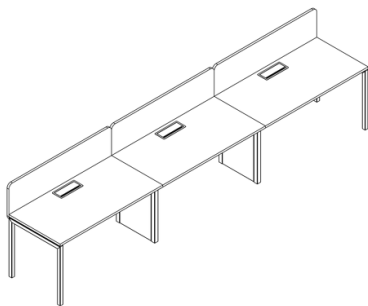
H 740



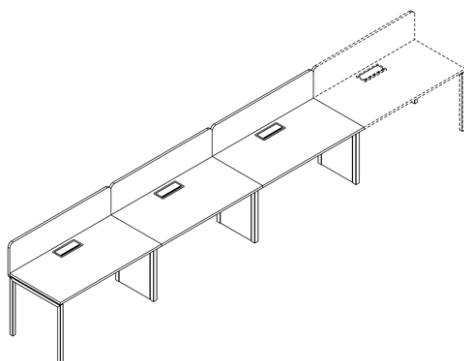
L 1200, 1400, 1600
W 60, 70, 80



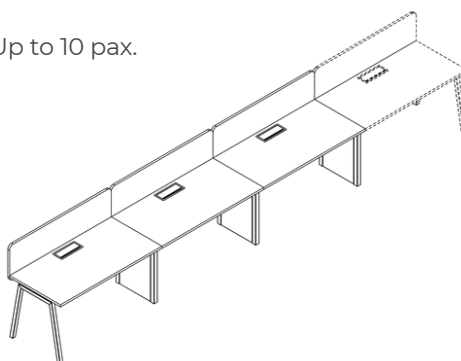
L 2400, 2800, 3200
W 60, 70, 80



L 3600, 4200, 4800
W 60, 70, 80



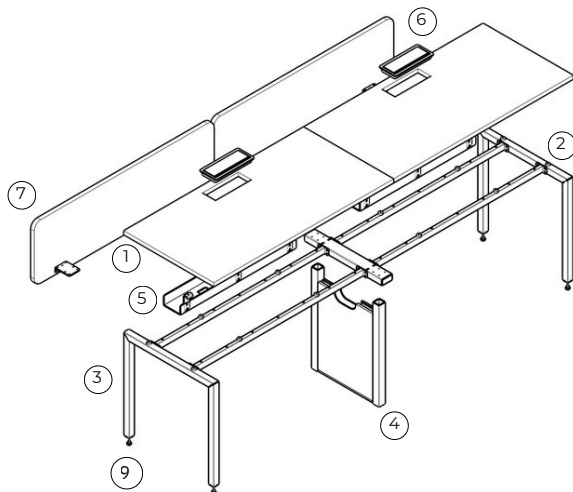
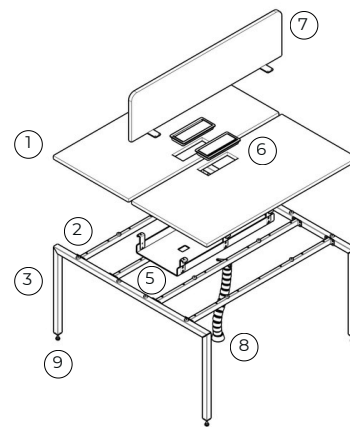
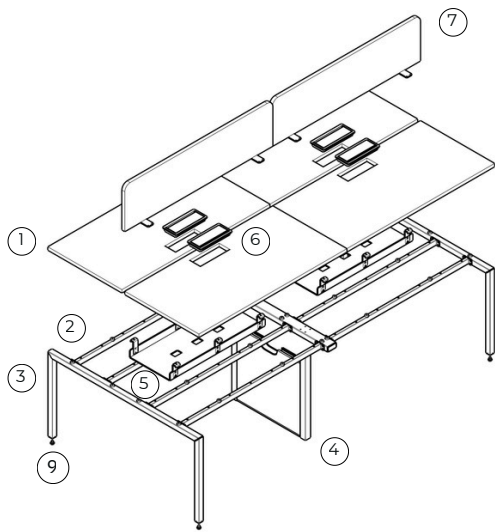
etc Up to 10 pax.



etc Up to 10 pax.

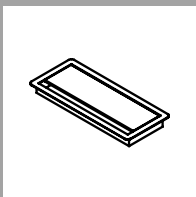
NB: Possibility to extend the length by ordering supplementary units.

WORKSTATION COMPONENTS

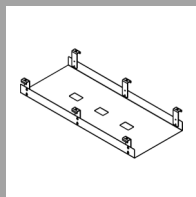


- ① Finsa Top thickness 25 mm.
- ② Top spacer 10mm.
- ③ Powder-coated metal leg.
- ④ Middle leg with cable management.
- ⑤ Cable tray.
- ⑥ Soft close cable grommet.
- ⑦ Acoustic fabric screen.
- ⑧ Vertebrae cable management.
- ⑨ Glide 10mm (+10mm adjustable).

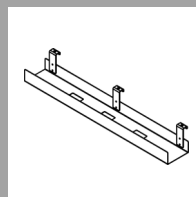
Workstation Includes



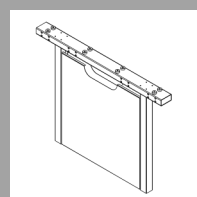
Soft-close cable grommet:
300 × 110 mm



Cable tray:
900 × 380 mm

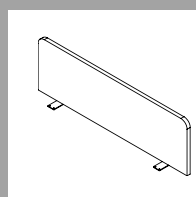


Cable tray:
900 × 130 mm



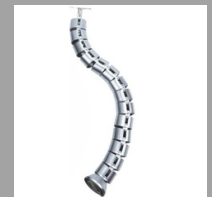
Cable management:

- L: 300, 430, 600 mm.
- W: 50, 80 mm.
- H: 600 mm.



Front screen:

- Acoustic Honeycomb.
- Privacy screen.



Vertebrae cable management.
NB: available only for 2-pax workstation

FEATURES

- Anti-bacterial surface properties supporting hygienic daily use in workspace environments.
- Anti-moisture sealed finish allowing safe cleaning and regular disinfection without surface damage.
- Anti-fingerprint surface and high scratch resistance ($\geq 6\text{NW}$ – EN 438-2 standard)
- Easy to assemble and disassemble - "metal to metal" construction Just one tool for assembling .
- Two color combination for desks.
- Concealed cable management.
- Acoustic screens.

TECHNICAL INFORMATION

Desktop

- 25 mm MFC (melamine) with 2 mm ABS edging.
- 10mm spacers between desktop and base.
- 30mm gap between back to back desktops.

Metal Beams

- Metal beam - 40x20 mm.
- Powder-coated steel with welded metal plates for leg attachment
- Color-matched with leg finish.

Cable Tray

- Sheet metal 1.25 mm.
- Attachment brackets 3mm - attached to beams.

Acoustic Screen

- MDF / 10mm Sponge / Honeycomb.

Legs

- A-LEG: 40x40 mm, t:1.5 mm*
- U-LEG: 40x40 mm, t:1.5 mm*
- Powder-coated.
- Plastic levelling glides (+10 mm).

DESKTOP FINISHES



060 Blanco



272 Roble Poema



20B Cerezo



03C Nogal



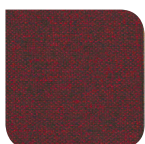
20N Roble Sinatra



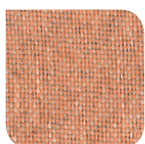
Negro*
(available in 19 mm only)

NB: Reference to sample for texture.

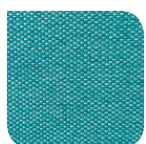
RECOMMENDED SCREEN FABRICS



Burgundy



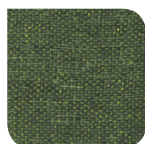
Peach



Turquoise



Pebble Blue



Grass Green



Luxury Beige

and more than 30+ different fabric or leather colors to choose from

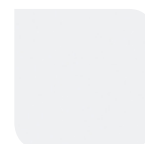
METAL FINISHES



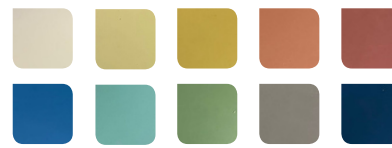
Black



Grey



White



Additional colors upon request (MOQ).

CABLE GROMMET



Black



Grey matte