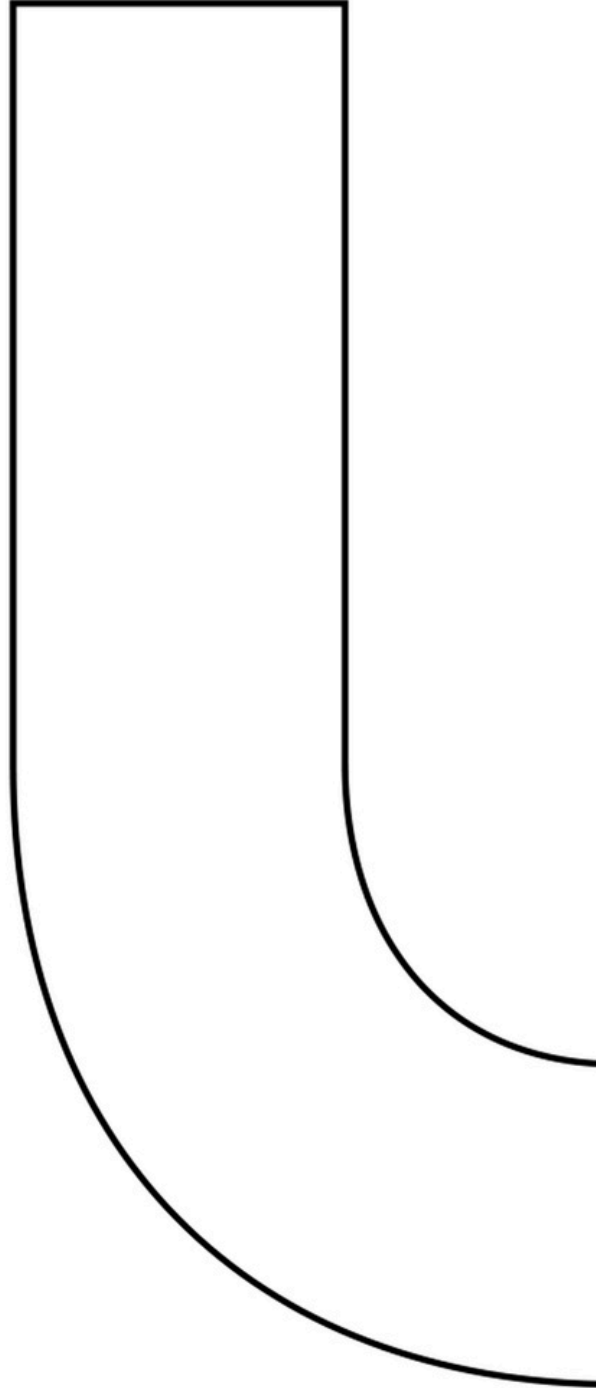


Technical Data Sheet

*Coffee Tables*



## Designed around U

U.noia's sleek side tables combine function and style, offering versatile surfaces that complement any office setting.



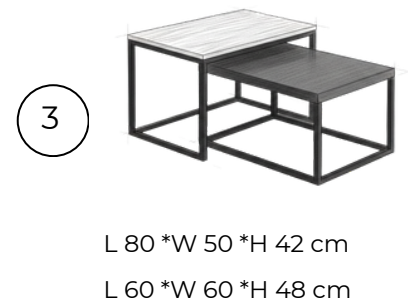
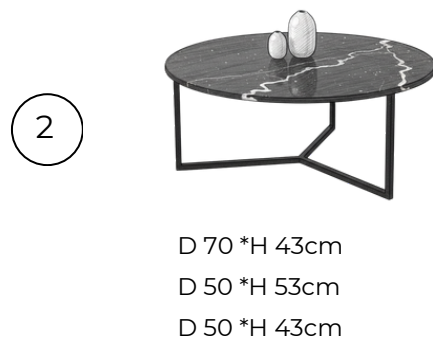
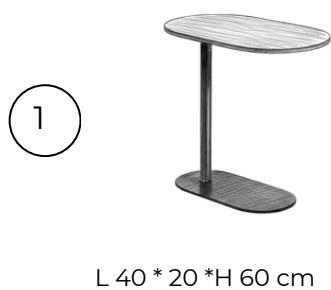


## THE CENTER OF CONVERSATION

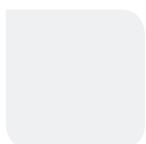


## LEARN MORE ABOUT THE **OASI** COFFEE TABLES

- 1 **Oblong** : A rectangular object or flat figure with unequal adjacent sides, Finsa melamine top and metal base.
- 2 **Brew** : Casual and connected to coffee, Finsa melamine top and metal base.
- 3 **Tavo** : Short, stylish twist on “table” - light & commercial, Finsa melamine top and metal base.
- 4 **Canopy** : Refers to the clean, circular design–playful & modern, Finsa melamine top and metal base.
- 5 **Dotset** : Tapered wooden legs elevate a sleek, Finsa melamine top.



### TABLE TOP FINISHES



060 Blanco



272 Roble Poema



20B Cerezo



03C Nogat



20N Roble  
Sinatra



Negro\*  
(available in 19 mm only)

NB: Reference to sample for texture.

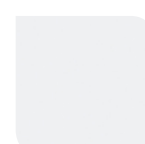
### METAL FINISHES



Black



Grey



White



Additional colors upon request (MOQ).

## QUALITY STANDARDS

### **Top surface**

ISO 22196 Standard: 2011.  
(Certificate of Analysis No. 1023308.1E-1).

ISO 21702 standard: 2019 and the NF EN 14476 standard: 2013 + A2: 2019.

---

## WARRANTY AND SAFETY

- 5-Year Manufacturing Warranty.
- The warranty does not apply to components, external accessories, or materials supplied by the buyer and applied to the products for the purpose of customizing them.
- The company shall not be held liable if the product is used improperly (standing on it or using it as a ladder or swinging it in a way that could compromise its functioning and the user's safety).
- To lift or move the product, grasp it firmly by the supporting structure. The product must not be subjected to off-center loads: it is designed to be used under normal conditions, resting on its four legs or base.