

Technical Data Sheet

B-Flex Desk



QUALITY STANDARDS

Finsa top surface.

- ISO 22196 Standard: 2011. (Certificate of Analysis No. 1023308.1E-1).
- ISO 21702 standard: 2019 and the NF EN 14476 standard: 2013 + A2: 2019.

Metal.

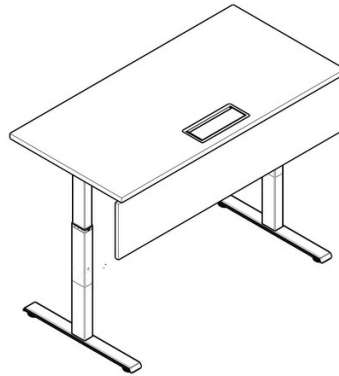
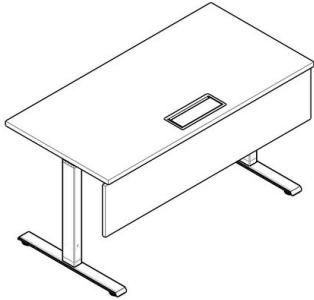
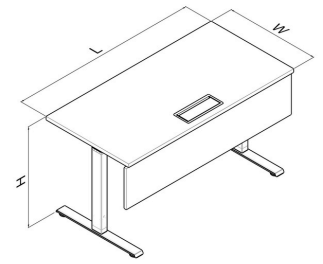
- Material: DD14 (EN 10111)
- ISO 45001:2018 – Occupational Health & Safety System. (Certificate No. 20001230009449).

WARRANTY

- 5 years

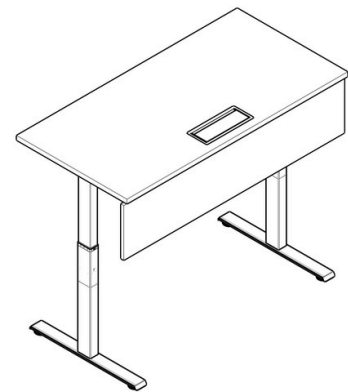
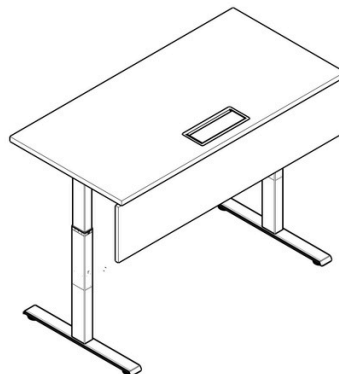
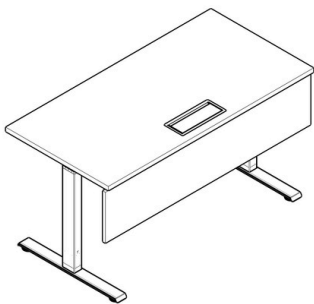
B-Flex Adjustable Desk

H 720 - 1200



L 1400, 1600
W 700, 800*

*Customizable dimensions parameters: L 1000 - 2000
W 700 - 800



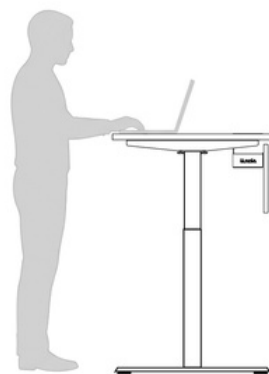
Sitting Position
H 740

Standing Position
H 1100

Max Height Position
H 1200



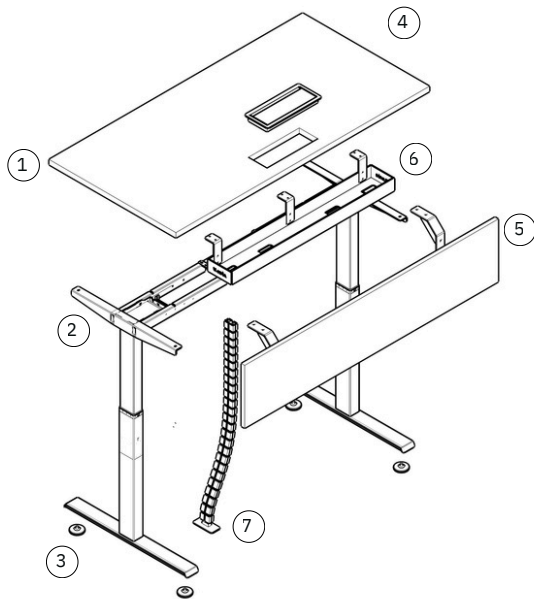
Sitting
Position



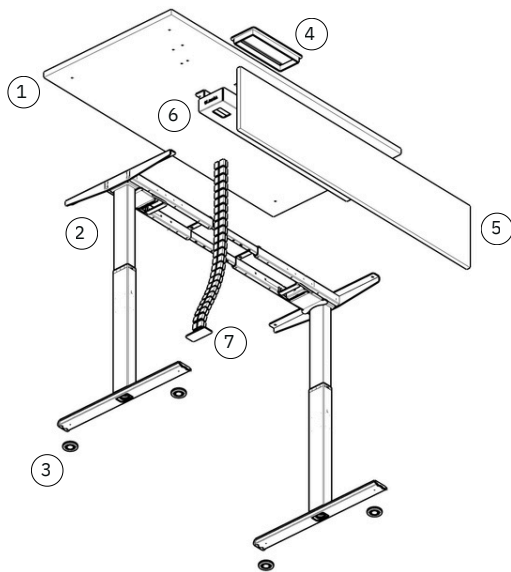
Standing
Position

30-minute intervals is the optimal timeframe for postural transitions. This timing aligns with your body's natural activity cycles and prevents stress that builds up during static positioning.

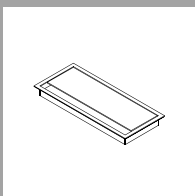
B-Flex ADJUSTABLE DESK COMPONENTS



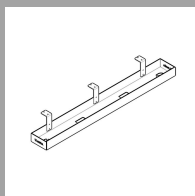
- ① Finsa Top thickness 25mm.
- ② Powder-coated metal leg.
- ③ Glide 10mm (+10mm adjustable).
- ④ Soft close cable grommet.
- ⑤ Modesty panel thickness 18mm
- ⑥ Cable tray.
- ⑦ Vertebrae cable management.



Desk Includes



Soft-close cable Grommet:
300 × 110 mm



Cable Tray:
900 × 130 mm



Height Controller



Customized vertebrae cable management
130 mm

FEATURES

- Easy to assemble and disassemble - "metal to metal" construction Just one tool for assembling
- Concealed cable management.
- Anti-fingerprint surface and high scratch resistance ($\geq 6\text{NW}$ – EN 438-2 standard)
- Anti-fingerprint surface and high scratch resistance ($\geq 6\text{NW}$ – EN 438-2 standard)
- Memory Height Up/Down Controller with 4 ready to setup levels.
- Anti-collision system that triggers a safety stop and a brief reversal upon contact with an object.
- Electronic panel showing desk height, level and errors of collision.

TECHNICAL INFORMATION

Desktop

- 25 mm MFC (melamine) with 2 mm ABS edging.

Screen

- Thickness 25mm
- Sound Absorbing

Legs

- Dual Motor/ 2 Stage/ Upward/ Rectangle/ 80*50 mm
- Powder-coated
- Plastic levelling feet (+10 mm).
- Load: 125KG
- Speed: 40mm/s
- Height: 700 - 1180 mm
- Voltage: 100-240 V
- Handset: SHG
- Control Box: SDG
- Duty Cycle: 10%

DESKTOP FINISHES



060 Blanco



272 Roble Poema



20B Cerezo



03C Nogal



20N Roble Sinatra



Negro*
(available in 19 mm only)

NB: Reference to sample for texture.

METAL FINISHES



Black

CABLE GROMMET



Black



Grey matte

Technical Data Sheet

Desks

